



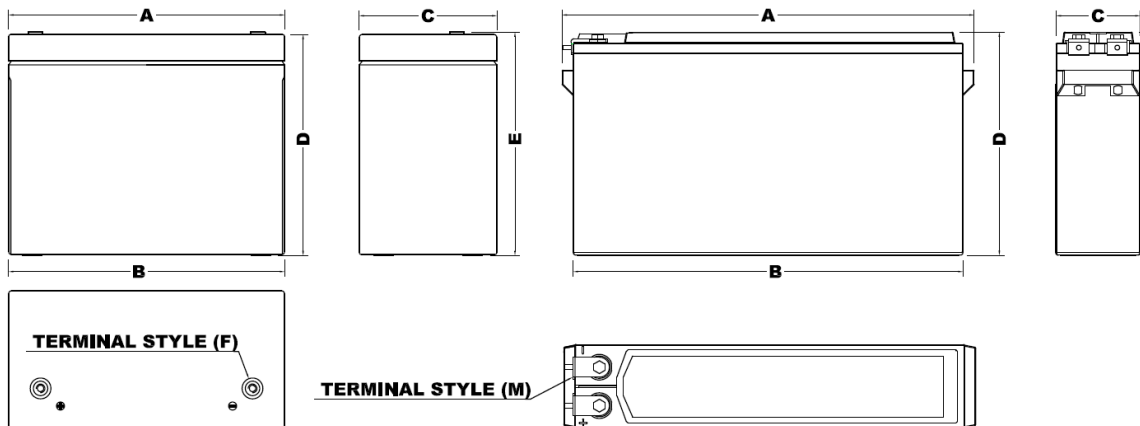
Reliable Battery Solutions

HRL-Series Competitive Cross Reference

High Rate Series
HRL

TOP TERMINAL																
Model	V	Ah 20hr 1.75 vpc 77°F	wpc 5min 1.67 vpc 77°F	wpc 15min 1.67 vpc 77°F	Total Length (A.)		Base Length (B.)		Width (C.)		Height (D.)		Height Top of Terminal (E.)		Weight	
					mm	in	mm	in	mm	in	mm	in	mm	in	Kg	Lbs
					12HRL36	12	8	60	36	151	5.9	151	5.9	65	2.6	95
12HRL50	12	12	101	50	151	5.9	151	5.9	98	3.9	95	3.7	100	3.9	4	9
12HRL80	12	19	164	80	181	7.1	181	7.1	76	3.0	167	6.6	167	6.6	6	14
12HRL100	12	28	205	100	166	6.5	166	6.5	125	4.9	175	6.9	175	6.9	10	22
12HRL140	12	33	276	140	195	7.7	195	7.7	130	5.1	158	6.2	180	7.1	12	27
12HRL150	12	42	307	150	196	7.7	196	7.7	165	6.5	170	6.7	170	6.7	15	32
12HRL200	12	56	430	210	230	9.1	230	9.1	138	5.4	208	8.2	215	8.5	19	41
12HRL300	12	75	586	300	261	10.3	261	10.3	173	6.8	201	7.9	205	8.1	26	57
12HRL365	12	93	747	365	304	12.0	304	12.0	168	6.6	208	8.2	215	8.5	30	67
12HRL400	12	100	827	400	337	13.3	324	12.8	173	6.8	213	8.4	215	8.5	34	75
12HRL550	12	140	983	550	337	13.3	324	12.8	173	6.8	276	10.9	278	10.9	45	99
6HRL700	6	193	1082	702	321	12.6	321	12.6	176	6.9	226	8.9	229	9.0	33	72

FRONT TERMINAL														
Model	V	Ah 20hr 1.75 vpc 77°F	wpc 5min 1.67vpc 77°F	wpc 15min 1.67vpc 77°F	Total Length (A.)		Base Length (B.)		Width (C.)		Height (D.)		Weight	
					mm	in	mm	in	mm	in	mm	in	Kg	Lbs
					12HRL390	12	96	666	390	511	20.1	486	19.1	110
12HRL600	12	153	1030	600	558	22.0	529	20.8	125	4.9	316	12.5	51	113
12HRL700	12	193	1082	702	558	22.0	528	20.8	125	4.9	316	12.5	59	130





Reliable Battery Solutions

High Rate Series
HRL

Company	Model	WPC @15 min	L (in.)	W (in.)	H (in.)	Wt. (lbs)	V	Narada Model
C&D	UPS12-100MR	90.9	6.54	5.17	6.86	21	12	12HRL100
C&D	UPS12-150MR	148	7.76	5.19	6.8	27.3	12	12HRL140
C&D	UPS12-210MR	206	9	5.48	8.07	40	12	12HRL200
C&D	UPS12-270FR	282	10.17	6.65	8.82	57	12	12HRL300
C&D	UPS12-300MR	300	10.27	6.83	8.01	58.4	12	12HRL300
C&D	UPS12-310FR	329	11.95	6.65	9.05	67	12	12HRL365
C&D	UPS12-350MR	350	12.04	6.83	8.06	67.4	12	12HRL365
C&D	UPS12-355PLP	355	12.04	6.83	8.06	67.4	12	12HRL365
C&D	UPS12-335MRF FA	358	20.1	4.3	9.3	80	12	12HRL390
C&D	UPS12-370FR	370	12.74	6.58	9.48	74	12	12HRL365
C&D	UPS12-400MR	400	13.42	6.8	8.52	75.8	12	12HRL400
C&D	UPS12-410MRXF FA	410	20.1	4.3	9.1	81.8	12	12HRL390
C&D	UPS12-475FR*	475	13.57	6.73	10.81	100	12	12HRL550
C&D	UPS12-490MR*	488	13.57	6.8	10.93	100	12	12HRL550
C&D	UPS12-540MR UPS12-540FR	537	13.57	6.8	10.93	100	12	12HRL550
C&D	UPS12-615MRF FA	614	22.01	4.95	11.7	115	12	12HRL600
C&D	UPS6-620MR UPS6-620FR	601	12.63	6.97	8.94	109	6	6HRL700
C&D	UPS12-700MRF FA	697	22.01	4.95	12.6	131	12	12HRL700

Check Narada Datasheet Drawing for Fitment - Referenced battery base dimension smaller than total length

Company	Model	WPC @15 min	L (in.)	W (in.)	H (in.)	Wt. (lbs)	V	Narada Model
CSB	HRL12110WFR	110.8	7.13	4.92	6.89	21.83	12	12HRL100
CSB	HRL12150W	155	7.7	5.12	6.77	25.9	12	12HRL140
CSB	HRL12150WFR	155.8	7.7	5.12	8.161	25.9	12	12HRL140
CSB	HRL12200W	215	8.97	5.45	6.16	38.8	12	12HRL200
CSB	HRL12200WFR	205.8	8.97	5.45	8.161	56.88	12	12HRL200
CSB	HRL12280W	280	10.28	6.63	8.43	56.9	12	12HRL300
CSB	HRL122280WFR	283.3	10.28	6.63	8.43	56.88	12	12HRL300
CSB	HRL12330W	350	12.15	6.65	8.44	65.5	12	12HRL365
CSB	HRL12330WFR	340	12.15	6.65	8.44	65.26	12	12HRL365
CSB	HRL12390W	398	13.46	6.69	8.57	72.8	12	12HRL400
CSB	HRL12390WFR	398	13.46	6.69	8.57	72.75	12	12HRL400
CSB	HXRL1212410W	410	12.2	6.7	8.4	68.34	12	12HRL365
CSB	HXRL1212475W	475	13.5	6.7	8.5	77.82	12	12HRL400
CSB	HRL12500W	503	13.5	6.69	10.93	100.8	12	12HRL550
CSB	HRL12500WFR	503	13.5	6.69	10.93	100.75	12	12HRL550
CSB	HRL12540W	540	13.5	6.69	10.85	96.76	12	12HRL550
CSB	HXRL1212620W	620	13.5	6.7	10	104.06	12	12HRL550

Check Narada Datasheet Drawing for Fitment - Referenced battery base dimension smaller than total length

Company	Model	WPC @15 min	L (in.)	W (in.)	H (in.)	Wt. (lbs)	V	Narada Model
EastPenn/Deka	U1HR1500	119	7.75	5.18	6.68	27	12	12HRL140
EastPenn/Deka	45HR2000	168	8.99	5.47	8.27	40	12	12HRL200
EastPenn/Deka	HR3000 /24HR3000	310	10.2	6.59	8.24	61	12	12HRL300
EastPenn/Deka	27HR3500	314	12.93	6.8	8.24	74	12	12HRL365
EastPenn/Deka	HR3500 /27HR3500	370	12.01	6.56	8.24	71.4	12	12HRL365
EastPenn/Deka	HR 3500 ET F/A	370	19.44	4.35	9.09	75.5	12	12HRL390
EastPenn/Deka	31HR4000	377	12.93	6.75	8.7	74	12	12HRL365
EastPenn/Deka	HR4000 /31HR4000	420	12.93	6.84	8.7	81	12	12HRL400
EastPenn/Deka	HR5500	550	13.46	6.84	11.2	105.5	12	12HRL550
EastPenn/Deka	HR5000 /31HR5000	475	13.46	6.84	11.21	97	12	12HRL550
EastPenn/Deka	HR 5500 ET F/A	550	22	4.97	11.75	120	12	12HRL600
EastPenn/Deka	HR 7500 ET F/A	750	24	4.97	12.74	150	12	12HRL700



Reliable Battery Solutions

High Rate Series

HRL

Company	Model	WPC @15 min	L (in.)	W (in.)	H (in.)	Wt. (lbs)	V	Narada Model
Energys	12HX100FR NPX100FR	100	6.5	4.9	6.9	22	12	12HRL100
Energys	XE 30	127	6.5	6.9	4.9	23.3	12	12HRL100
Energys	HX135R 12HX135B 12HX150E NPX135FR	135	7.8	5.1	7.1	26	12	12HRL140
Energys	HX150 12HX150FR NPX150FR	160	7.8	6.5	6.7	32	12	12HRL150
Energys	12HX135FR	136	7.7	5.1	6.7	26	12	12HRL140
Energys	XE40	180	7.7	6.5	6.7	35.4	12	12HRL150
Energys	12HX205FR	206	8.9	5.5	8.1	43	12	12HRL200
Energys	XE60	274	10.9	6.8	7.1	49.4	12	12HRL300
Energys	HX300-12FR 12HX300FR	284	10.2	6.9	8.2	60	12	12HRL300
Energys	XE70	305	12.9	6.5	6.9	56.6	12	12HRL365
Energys	HX330-12FR 12HX330FR	336	11.8	6.8	8.4	71	12	12HRL365
Energys	HX400-12FR 12HX400FR	381	13.3	6.8	8.3	80	12	12HRL400
Energys	12XE760-FR	390	13	6.8	8.6	77.4	12	12HRL400
Energys	XE95	414	13	6.8	8.6	77.4	12	12HRL400
Energys	HX500-12FR 12HX500FR	506	13.4	6.8	10.8	103	12	12HRL550
Energys	12HX505 12HX505FR	506	13.3	6.8	10.7	103	12	12HRL550
Energys	12HX540 HX540-12FR 12HX540FR	540	13.3	6.8	10.8	106	12	12HRL550
Energys	12XE1040-FR	560	13.3	6.8	10.7	97	12	12HRL550
Energys	12XE1010F-FR	566	22.9	4.9	11.1	107.4	12	12HRL600
Energys	12XE1110F-FR	649	22.9	4.9	11.1	114	12	12HRL600
Energys	12XE1150F-FR	706	22.9	4.9	12.4	129.2	12	12HRL700
Energys	HX800-6FR 6HX800FR	780	13.4	6.8	8.5	80	6	6HRL700

Company	Model	WPC @15 min	L (in.)	W (in.)	H (in.)	Wt. (lbs)	L (in.)	Narada Model
Exide /GNB	S12V170F	167	7.81	6.58	7.01	36	12	12HRL140
Exide /GNB	S12V285F /S12V285	285	10.21	6.85	8.8	61	12	12HRL300
Exide /GNB	S12V300F /S12V300	306	10.25	6.85	8.8	63	12	12HRL300
Exide /GNB	S12V370F	373	12	6.85	9.2	73	12	12HRL365
Exide /GNB	S12V500F	505	13.53	6.74	10.9	106	12	12HRL550
Exide /GNB	S12V550NG	550	13.27	6.77	10.91	99.6	12	12HRL550
Exide /GNB	S6V740F S6V740 S6V740NG	746	12.14	6.77	8.78	68	6	6HRL700

Company	Model	WPC @15 min	L (in.)	W (in.)	H (in.)	Wt. (lbs)	V	Narada Model
FIAMM	12FLX150	152	7.78	6.48	6.65	30.6	12	12HRL140 /12HRL150
FIAMM	12FLX200	225	9.06	5.43	8.35	39.2	12	12HRL200
FIAMM	12FLX250	257	10.69	6.54	7.68	51.8	12	12HRL300
FIAMM	12FLX300	340	10.27	6.85	8.58	58.3	12	12HRL300
FIAMM	12FLX350	390	11.87	6.85	8.58	67.5	12	12HRL365
FIAMM	12FLX400	415	13.31	6.85	8.46	73.3	12	12HRL400
FIAMM	12FLX500	502	13.31	6.85	10.87	98	12	12HRL550
FIAMM	12FLX700	702	21.97	4.96	12.64	134	12	12HRL700

Company	Model	WPC @15 min	L (in.)	W (in.)	H (in.)	Wt. (lbs)	V	Narada Model
Interstate	12MQ800	135	7.8	5.1	6.7	26	12	12HRL140
Interstate	12MQ1200	204	8.9	5.5	8.1	43	12	12HRL200
Interstate	12MQ1800	284	10.2	6.8	8.24	60	12	12HRL300
Interstate	12MQ2100	336	11.8	6.8	8.4	71	12	12HRL365
Interstate	12MQ2400	381	13.3	6.8	8.3	80	12	12HRL400
Interstate	12MQ3000	506	13.3	6.8	10.7	103	12	12HRL550
Interstate	12MQ3300	540	13.3	6.8	10.7	106	12	12HRL550

Company	Model	WPC @15 min	L (in.)	W (in.)	H (in.)	Wt. (lbs)	V	Narada Model
Northstar	NSB 12-310	310	10.3	6.8	7.9	57	12	12HRL300
Northstar	NSB 12-365RT	365	15.6	4.2	10.4	73	12	12HRL365
Northstar	NSB 12-425	425	13.4	6.8	8.4	75	12	12HRL400
Northstar	NSB 12-450FT	477	22	4.9	8.9	88	12	12HRL390
Northstar	NSB 12-450RT	484	22	4.9	8.9	88	12	12HRL550
Northstar	NSB 12-540	540	13.6	6.8	10.8	99	12	12HRL550
Northstar	NSB 12-590FT	605	33	4.9	11	119	12	12HRL600
Northstar	NSB 12-650RT	649	22	4.9	11	119	12	12HRL600
Northstar	NSB 12-730RT	728	22	4.9	12.6	137	12	12HRL700

Company	Model	WPC @15 min	L (in.)	W (in.)	H (in.)	Wt. (lbs)	V	Narada Model
Power	PRC or TC 1235L	119	7.71	5.18	7.19	26.7	12	12HRL140
Power	PRC or TC 1255S	196	9	5.45	9	37	12	12HRL200
Power	PRC or TC 1290S	283	10.2	6.76	9.4	60.6	12	12HRL300
Power	PRC or TC 12100S	318	12	6.68	9.58	71.9	12	12HRL365
Power	PRC or TC 12120S	400	13.5	6.76	9.25	81.8	12	12HRL400
Power	PRC or TC 12150C	505	13.5	6.81	10.8	100.1	12	12HRL550

Company	Model	WPC @15 min	L (in.)	W (in.)	H (in.)	Wt. (lbs)	V	Narada Model
POWERWARE	PWHR12120W3FR	123	6.53	4.92	6.89	23.6	12	12HRL100
POWERWARE	PWHR122004FR	206	8.97	5.45	8.16	38.8	12	12HRL200
POWERWARE	PWHR122804FR	283	10.28	6.63	8.43	56.88	12	12HRL300
POWERWARE	PWHR123304FR	340	12.15	6.65	8.44	65.26	12	12HRL365
POWERWARE	PWHR122390WFR	398	13.46	6.69	8.57	72.75	12	12HRL400
POWERWARE	PWHR125004FR	503	13.5	6.69	10.93	110.75	12	12HRL550

Check Narada Datasheet Drawing for Fitment - Referenced battery base dimension smaller than total length

China: **Narada**
 NARADA POWER SOURCE CO.,LTD.
 No.459 Wensan Road, Hangzhou, Zhejiang, P.R.China
 Tel:+86-571-28827013 Fax:+86-571-85126942
 Website:www.en.naradabattery.com E-mail: intl@narada.biz

MPI Narada MPI-Narada
 44 Oak St
 Newton, MA 02464
 Tel: 800-982-4339
 sales@mpinarada.com www.mpinarada.com

