

Coolstar™

CS48200 F4 A/D/F

Controlled temperature cabinet for VRLA batteries for Outdoor application

The Narada Coolstar™ cabinet is designed to protect VRLA type lead acid batteries in telecommunication and photovoltaic energy storage applications against stressful ambient temperature conditions.

The Coolstar™ energy efficient operation allows to significantly reduce equipment-cooling costs by targeting the thermal management efforts directly toward the 48V battery. It will minimize air conditioning energy costs of radio base stations by splitting the thermal management into natural ventilation and forced cooling. Coolstar™ is ideal for countries with hot or tropical climate and for any location where cooling/heating energy is at a premium and its consumption has to be minimized.

The Coolstar™ cabinet has been designed on the basis of extensive CFD simulations of cell layout and airflow pattern.



Features

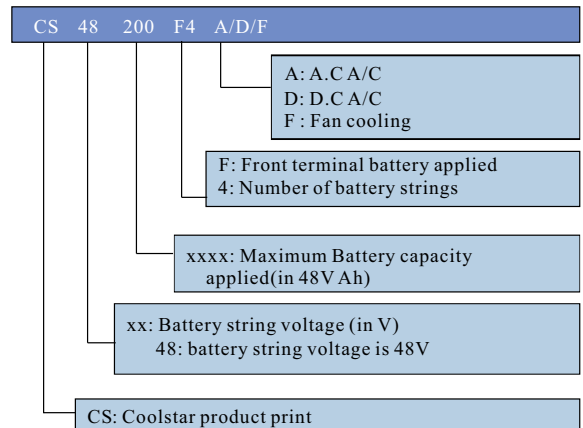
- ★ Up to 95% power saving compared to traditional, A/C based, thermal management solution.
- ★ Interchangeable and visual display service adapter, can freely set cooling temperature from +18 to +28° C to optimize energy consumption
- ★ Cabinet and cooling system rated for -40 to +55°C service
- ★ Proper design for easily installation and service
- ★ Completely gas release safety protected accordingly EN50272-2 and IEC 62485-2
- ★ Minimizing battery temperature differences to less than 3° C after being stabilized
- ★ Universal rack design applied for types of battery
- ★ Dual skin construction with foam insulation against hot outdoor condition for A/C cooling unit
- ★ Environmental friendly refrigerant of R134a without CFC for A/C cooling unit
- ★ Ingress protection class IP55 and 10 year design life

Standards

Product Approvals

- Transport ETSI EN 300 019-1-2 V2.1.4(2003-04)
- Storage ETSI EN 300 019-1-1 V2.1.4(2003-04)
- Operation ETSI EN 300 019-1-4 V2.1.2(2003-04)
- Chemical and mechanical substances ETSI EN 300 019-1-4 Class 4.1
- EMC ETSI EN 300 386 V1.5.1:2010 Tests according to IEC 61000-3
- EMC FCC CFR 47 part 15
- EMC EN 55022: 2006+A1:2007(CISPR22),
- EMC EN/IEC 61000-6-4:2007
- EMC EN/IEC 61000-6-2:2005
- EMC EN 55024:1998+A1:2001+A2:2003(CISPR24)

CE marked
RoHS compliance



Coolstar™

CS48200 F4 A/D/F

Controlled temperature cabinet for VRLA batteries for Outdoor application

Electrical

Type	CS48200 F4A	CS48200 F4D	CS48200 F4F
Cooling power	600watts 35L/35L	500watts 35L/35L	
	500watts 35L/25L	300watts 35L/25L	
Power consumption (maximum)	300 watts	200 watts	58 watts
Power consumption (cyclic/average dailiy)	120~160 watts	60~96 watts	58watts
Power consumption (float/average daily)	50~60 watts	50~60 watts	58watts
Power consumption (cyclic/average at 35°C economic mode)	42~56 watts	30~48 watts	58watts
Power consumption (float/average at 35°C economic mode)	20~28 watts	20~28 watts	58 watts
Input voltage	220V +/- 15% AC	-48V DC	-48V DC
MTBF	≥50,000 hrs		
Communication	RS485		—

Mechanical

Battery configuration

Type	CS48200 M A/D/F	Battery	19' Rack
Cabinet(WxDxH)	800 x801 x 1852 mm	1 string	20U
Weight (Without A/C and Battery)	190kg	2 strings	12U
Protection class	IP55	3 strings	6U
Operating temperature	-40°C ~ +55°C(with heater)	4 strings	—
	+15°C ~ +55°C(without heater)		
Coating colors	Ral 7035		
Components	Cabinet, rack and air conditioner		
	Universal rack for option		

Drawing

