

## 12NPL150

The Narada Telecom Pure Lead range of VRLA batteries are well suited to provide battery backup in outdoor application long duration or outside plant application.

All Narada Telecom series batteries use CCPP plate technology and a patented post design offering exceptional service life.



### Technical Features:

- ◆ Flame Retardant ABS Cover and Container, UL94 V-0, LOI>28%
- ◆ Patented copper alloy terminal design
- ◆ Epoxy TPS design for high reliability post seal
- ◆ 24 months of storage at 68°F (20°C)
- ◆ Initial capacity at 100%
- ◆ Low pressure one-way flame arresting valve(s) UL1989
- ◆ Absorbent Glass Mat (AGM) Sealed Technology, Recombination efficiency of 99.9%

### Compliance and Safety:

- **ISO 9001:2000 and ISO 14001:2004 certified facilities**
- UL Recognized Component 924, for use in or with listed UL1778, UL1989 and UL924 systems
- IEC60896-21/22 / BS6290 part 4
- Certified to NEBS Version 8, Level 3
- Telcordia GR-1089-CORE, Issue 6
- Telcordia GR-63-CORE, Issue 4
- **Manufactured under system ISO9001(TUV)**
- Battery installation compliant with: EN 50272-2 or local equivalents
- NEBS Earthquake Risk Seismic Zone 4 Compliant

### Transportation:

- ◆ Classified as Nonspillable UN 2800 and meet the Nonspillable criteria listed in DOT-CFR Title 49, 171-189 (d) (3) (i) and (ii) and exempt from CFR 49, Subchapter C requirements
- ◆ Meets transportation conditions of IMDG exemption 238, IATA/ICAO Special Provision A67 (Not Restricted)

Ah @ 8hr 1.75 vpc / 77°F (25°C)	148 Ah
Ah @ 10hr 1.80 vpc / 77°F (25°C)	151 Ah

Nominal Voltage	12V
Float Charge Voltage @25°C (2.23 – 2.27vpc)	13.4 – 13.6
Max. Charge Current (A) (5 hour rate @ 1.75vpc)	38 Amps

Electrolyte Absorbed H <sub>2</sub> SO <sub>4</sub>	1.300
--	-------

Short Circuit Current (A)	2450 Amps
Internal Resistance (mΩ)	5.14

Terminal Type	Torque
M6-M (Front L Bracket)	78 in-lbs (8 ±1 Nm)
M6-F (Top Insert)	78 in-lbs (8 ±1 Nm)

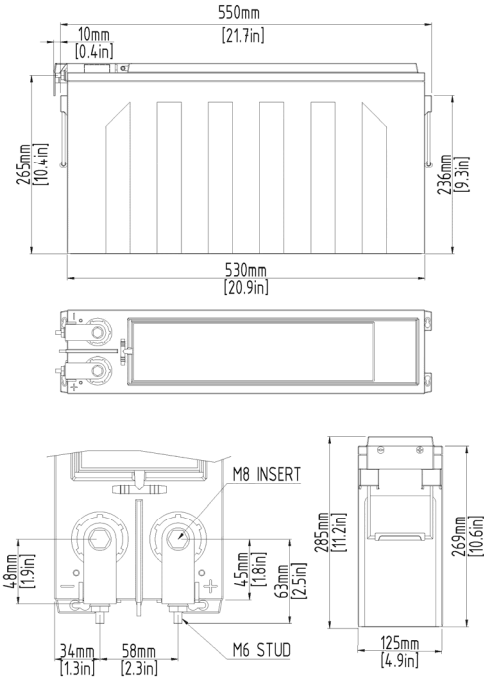
Dimension	in	mm
Length	21.66	550
Length Base	20.79	528
Width	4.93	125
Overall Height	11.15	283

	Lbs.	Kg
Weight	107	48.2

CLEI	PBMYAGESRA	CPR	217344
------	------------	-----	--------

## Operating Parameters

Float Charging Voltage	13.5V / 2.25Vpc @ 77°F (25°C)
Equalize /Cycle	14.0V – 14.3V 2.33Vpc to 2.38Vpc @ 77°F (25°C)
See Operations and Maintenance Manual for specific guidelines and recharge times	
Charging Temperature Compensation	-2 mV/cell/°F > 77°F (-3.6 mV/cell /°C > 25°C)
	+2 mV/cell/°F < 77°F (+3.6 mV/cell/°C < 25°C)
Maximum AC Ripple (Charger)	0.5% RMS, 1.5% peak-to-peak for float charge voltage for best results
<b>Operating Temperature Range</b>	
Nominal	+74°F (24°C) to 80°F (27°C)
Charge	-20°F (-28°C) to +122°F (50°C)
Discharge	-40°F (-40°C) to +140°F (60°C)
Storage Temperature Range	-4°F (-20°C) to +104°F (40°C)



End vpc	5m	15m	30m	45m	1h	2h	3h	4h	5h	6h	8h	10h	12h	20h	24h
1.67	388	227	147	113	91.7	55.0	40.2	33.1	27.6	23.8	18.8	15.6	13.2	8.81	7.57
1.70	371	224	146	112	91.6	54.9	40.1	32.9	27.5	23.7	18.6	15.4	13.2	8.74	7.47
1.75	342	217	145	111	90.7	54.8	40.0	32.8	27.3	23.4	18.5	15.2	13.1	8.63	7.33
1.80	308	193	135	106	88.2	54.1	39.9	32.5	27.1	23.3	18.3	15.1	13.1	7.76	6.45
1.83	275	183	130	103	86.2	54.0	39.4	32.4	27.0	23.2	18.2	14.9	13.0	7.65	6.36
1.85	268	176	125	99.5	83.6	52.7	39.1	32.3	26.9	23.1	18.0	14.7	13.0	7.53	6.25
1.86	265	172	122	98.0	82.3	52.0	38.9	32.2	26.8	23.0	17.9	14.6	12.9	7.47	6.20

End vpc	5m	15m	30m	45m	1h	2h	3h	4h	5h	6h	8h	10h	12h	20h	24h
1.67	691	421	285	222	183	114	82.5	67.7	56.4	48.4	37.8	31.1	26.3	16.5	13.9
1.70	659	416	284	221	182	113	81.9	67.3	56.0	48.0	37.6	31.0	26.2	16.3	13.7
1.75	607	404	280	219	181	112	81.6	67.2	55.8	47.9	37.3	30.8	26.1	16.2	13.6
1.80	566	371	263	209	176	111	81.0	67.1	55.4	47.6	37.2	30.3	25.4	15.5	13.0
1.83	510	349	253	204	173	110	80.6	66.4	54.9	47.5	36.7	29.6	25.0	15.3	12.6
1.85	509	348	250	200	168	106	78.2	64.4	53.8	46.2	36.1	29.5	24.8	14.5	11.9
1.86	508	347	249	198	165	104	77.0	63.4	53.2	45.6	35.8	29.4	24.7	14.1	11.5

China: **Narada**  
 NARADA POWER SOURCE CO.,LTD.  
 No.459 Wensan Road, Hangzhou, Zhejiang, P.R.China  
 Tel:+86-571-28827013 Fax:+86-571-85126942  
 Website:www.en.naradabattery.com E-mail: intl@narada.biz

**MPI-Narada** MPI-Narada  
 44 Oak St  
 Newton, MA 02464  
 Tel: 800-982-4339  
 sales@naradausa.com www.naradausa.com

